



ADVANTAGES:

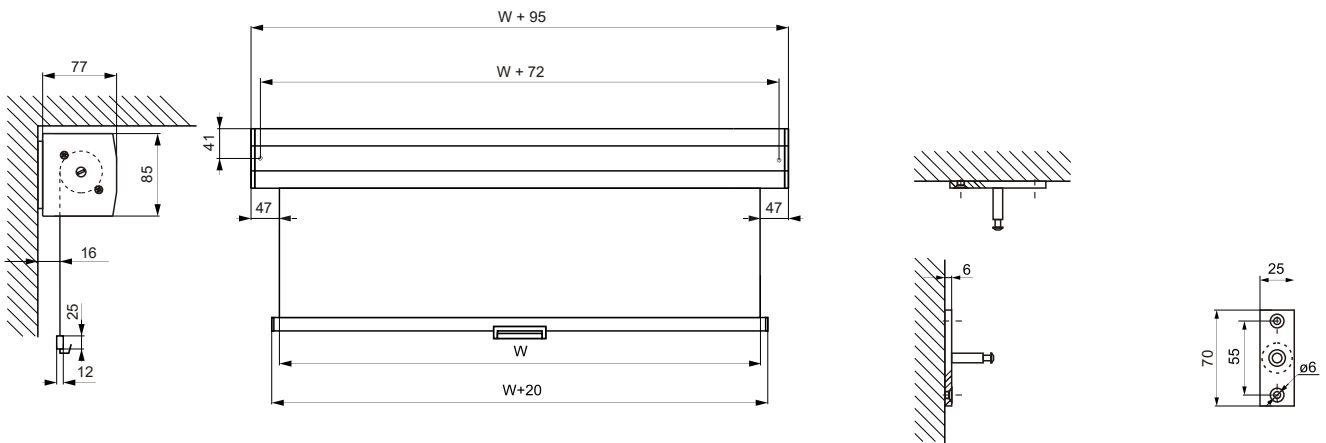
- White painted steel case
- Easy screen installation
- Universal installation brackets
- Reliable spring mechanism
- Integrated safety brake
- Projection surface lead from the rear side of casing
- 2 year warranty (door-to-door)
- Bundled projector ceiling installation bracket (SET models, only)

FEATURES:

- Available surface widths: 180 - 240cm
- 1:1, 4:3 or 16:10 picture aspect ratios
- Dedicated projection surface:
for presentation:
Matt White E g=1,0
- 40mm diameter Aluminium alloy rolling tube

OPTIONAL ACCESSORIES:

- Wall/ceiling spacers (SH HOLDER)



PROJECTOR CEILING BRACKET (SET VERSION)

Picture Aspect Ratio	Dimensions		Image Diagonal	Brackets Distance	Weight		Transport box size
	Surface Width	Picture Area			Standard version	SET version	
	W [cm]	w x h [cm]	[inch]	M [cm]	[kg]	[kg]	[cm]
1:1	180	180 x 180	100	187,2	9,80	10,70	210 x 12 x 13
1:1	200	200 x 200	111	207,2	10,30	11,20	230 x 12 x 13
4:3	180	180 x 135	89	187,2	9,60	10,50	210 x 12 x 13
4:3	200	200 x 150	98	207,2	10,60	11,50	230 x 12 x 13
4:3	240	240 x 180	118	247,2	12,70	13,60	270 x 12 x 13
16:10	180	180 x 113	84	187,2	9,40	10,30	210 x 12 x 13
16:10	200	200 x 125	93	207,2	10,40	11,30	230 x 12 x 13
16:10	240	240 x 150	112	247,2	12,50	13,40	270 x 12 x 13