



## ***SimScreen Master Electrol 2***

The large-sized professional screen.



16:9

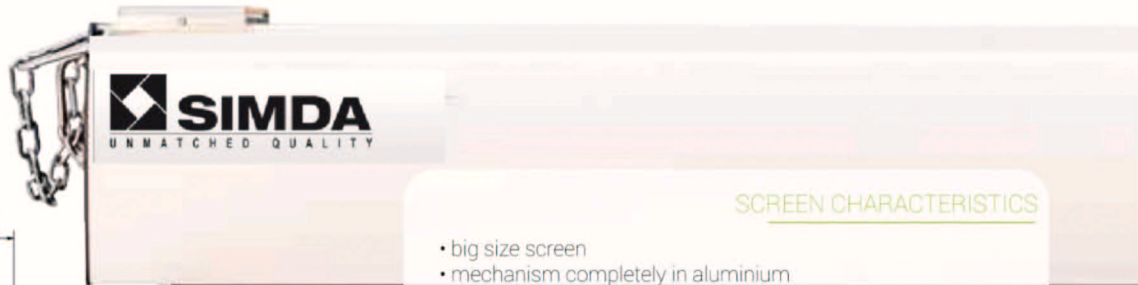
2.35:1

16:10

4:3

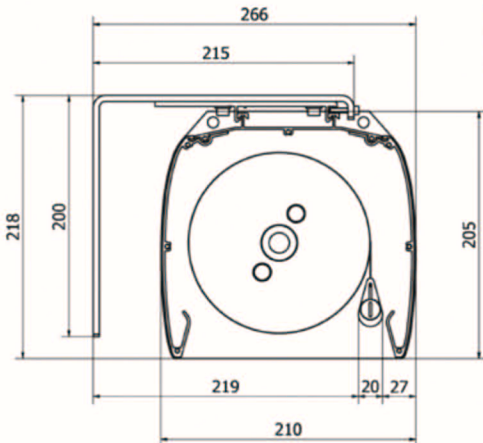
## SimScreen Master Electrol 2

is both sturdy and practical: the mechanism made of robust aluminium components allows the installation of fabrics up to 700 cm. wide at the base. Chains and brackets ensure an easy installation. The brackets allow wall or ceiling installation, choosing the distance of the screen from the wall and make it possible to correct the central position also once installed. The chains make it easy to lift and move the screen. Once they are anchored, they are a further safety measure.



### SCREEN CHARACTERISTICS

- big size screen
- mechanism completely in aluminium
- matt white or matt black box
- wide variety of customized fabrics and sizes
- front fall
- safety chains
- cardboard/steel reinforced packaging



### SURFACE OPTIONS

- White Ice
- Home Vision
- Microperforated
- Coral rear-projection

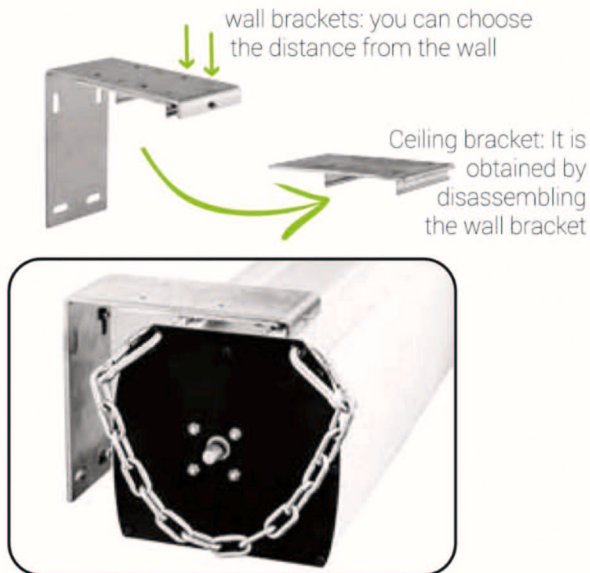
## SimScreen Master Electrol 2 Tensioned

16:9	2.35:1
16:10	4:3

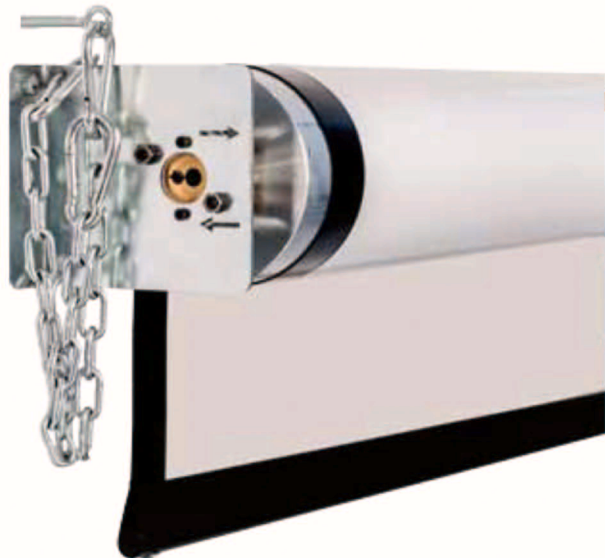
The lateral tensioning of the projection fabric ensures perfect flatness of the surface and the borders even after extensive use. The strength of the aluminium structure as well as the wide variety of the available fabrics remain the same as standard Lodo, also in customized versions.

It is available either with standard motor or with in-built remote control which allows operating it and adjusting the limit switch remotely.

the sturdy bracket supplied allows mounting on a wall or ceiling



300 390 440 490 540 590 640 690 750 800 850 900



2.35:1

16:9

16:10

4:3

## SimScreen Master Electrol 2

As with the standard version, these screens feature a sturdy tube/motor system and high resistance to bending, which ensure excellent flatness of the projection surface over the years.

The compactness of the screen in relation to the total size is emphasized by the absence of the box which makes installation in small rooms easier. The side brackets allow screen installation possible on walls, ceilings or fixed to lateral supports.

When Lodo no box is wider than 700 cm, it features a bigger motor, tube and brackets becoming Big Lodo no box with a base of up to 850 cm.

### SCREEN CHARACTERISTICS

- aluminium mechanism without box
- silent, powerful motor
- anchoring chains
- steel bar reinforced packaging

### SURFACE OPTIONS

- White Ice
- Home Vision
- Microperforated
- Coral rear-projection

Rear fall to avoid exposing the viewing area to dust and weather damages.

