



PU-232

RS-232 Control over CAT5e/6 Extender Set

OPERATION MANUAL

DISCLAIMERS

The information in this manual has been carefully checked and is believed to be accurate. CYP (UK) Ltd assumes no responsibility for any infringements of patents or other rights of third parties which may result from its use.

CYP (UK) Ltd assumes no responsibility for any inaccuracies that may be contained in this document. CYP (UK) Ltd also makes no commitment to update or to keep current the information contained in this document.

CYP (UK) Ltd reserves the right to make improvements to this document and/or product at any time and without notice.

COPYRIGHT NOTICE

No part of this document may be reproduced, transmitted, transcribed, stored in a retrieval system, or any of its part translated into any language or computer file, in any form or by any means—electronic, mechanical, magnetic, optical, chemical, manual, or otherwise—without express written permission and consent from CYP (UK) Ltd.

© Copyright 2019 by CYP (UK) Ltd.

All Rights Reserved.

Version 1.1

TRADEMARK ACKNOWLEDGMENTS

All products or service names mentioned in this document may be trademarks of the companies with which they are associated.

SAFETY PRECAUTIONS

Please read all instructions before attempting to unpack, install or operate this equipment and before connecting the power supply.

Please keep the following in mind as you unpack and install this equipment:

- Always follow basic safety precautions to reduce the risk of fire, electrical shock and injury to persons.
- To prevent fire or shock hazard, do not expose the unit to rain, moisture or install this product near water.
- Never spill liquid of any kind on or into this product.
- Never push an object of any kind into this product through any openings or empty slots in the unit, as you may damage parts inside the unit.
- Do not attach the power supply cabling to building surfaces.
- Use only the supplied power supply unit (PSU). Do not use the PSU if it is damaged.
- Do not allow anything to rest on the power cabling or allow any weight to be placed upon it or any person walk on it.
- To protect the unit from overheating, do not block any vents or openings in the unit housing that provide ventilation and allow for sufficient space for air to circulate around the unit.

REVISION HISTORY

VERSION NO.	DATE	SUMMARY OF CHANGE
V2.00	11/07/2019	Updated format/diagrams

CONTENTS

- 1. Introduction6**
- 2. Applications6**
- 3. Package Contents6**
- 4. System Requirements6**
- 5. Features6**
 - 6.1 Transmitter Front and Rear Panels..... 7
 - 6.2 Receiver Front and Rear Panels 7
- 7. Connection Diagram8**
- 8. Specifications9**
 - 8.1 Technical Specification 9

1. INTRODUCTION

The CAT5/6 RS-232 extender is a hardware-based solution providing control of any RS-232 protocol device. This transmitter and receiver set will extend the control of RS-232 for over 250 metres. The RS-232 extender also provides full duplex transmission and hardware handshake signals, with no need for any set up or configuration.

2. APPLICATIONS

- /// System installation.
- /// Control RS-232 devices in a remote location.
- /// System upgrading.

3. PACKAGE CONTENTS

- /// PU-232 Transmitter.
- /// PU-232 Receiver.
- /// 5V DC power adaptor.
- /// Operation Manual.

4. SYSTEM REQUIREMENTS

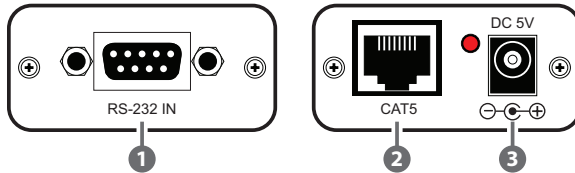
Input PC/laptop equipment, DB 9 female to male cable x 2, CAT 5 cable and output source device.

5. FEATURES

- /// Extends any RS-232 compliant device up to 250 metres from the source to display
- /// Requires only one CAT5/6 cable
- /// Perfect for digital signage applications
- /// Baud Rate: 110~921600. Data bit: 8bit
- /// Simple installation and operation

6. OPERATION CONTROLS AND FUNCTIONS

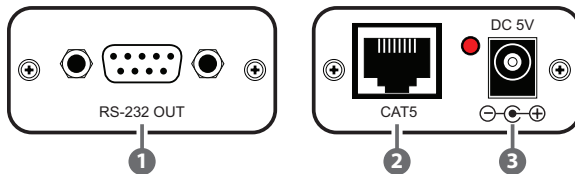
6.1 Transmitter Front and Rear Panels



- 1 **RS-232 IN:** Connect a PC/laptop's main control system with a DB 9 female to male cable in order to send protocol to the source device.
- 2 **CAT5:** Connect a CAT 5 cable (up to 250m) and link it to the Receiver unit .
- 3 **DC 5V:** Connect the 5V DC power adaptor into the unit and plug the adaptor into an AC outlet.

Note: Only one adaptor is needed for both the Transmitter and Receiver.

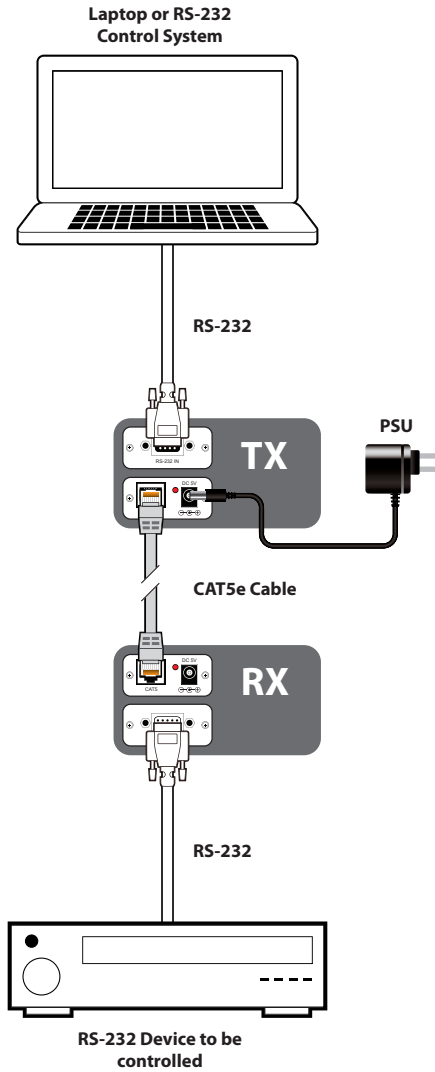
6.2 Receiver Front and Rear Panels



- 1 **RS-232 OUT:** Connect to the source device with a DB 9 male to female cable for receiving and communicating with a PC/Laptop or RS-232 control system.
- 2 **CAT5:** Connect a CAT 5 cable (up to 250m) and link it to the Transmitter unit.
- 3 **DC 5V:** Connect the 5V DC power adaptor into the unit and plug the adaptor into an AC outlet.

Note: Only one power supply is needed for both Transmitter and Receiver however, if operating at extreme distances then two power supplies may be required.

7. CONNECTION DIAGRAM



8. SPECIFICATIONS

8.1 Technical Specification

Input Port	RS232 D-Sub-9 female CAT 5
Output Port	RS232 D-Sub-9 male CAT 5
Power Supply	5V/1A DC (US/EU standards, CE/FCC/UL certified)
Dimensions (mm)	50(W) x 67(H) x 23(D) / each
Weight (g)	80 / each
Chassis Material	Aluminum
Silkscreen Colour	Silver
Operating Temperature	0°C~40°C
Power Consumption	0.5W(Max)



CYP (UK) Ltd., Unit 7, Shepperton Business Park, Govett Avenue, Shepperton,
Middlesex, TW17 8BA

Tel: +44 (0) 20 3137 9180 | Fax: +44 (0) 20 3137 6279

Email: sales@cypeurope.com

www.cypeurope.com

v2.00