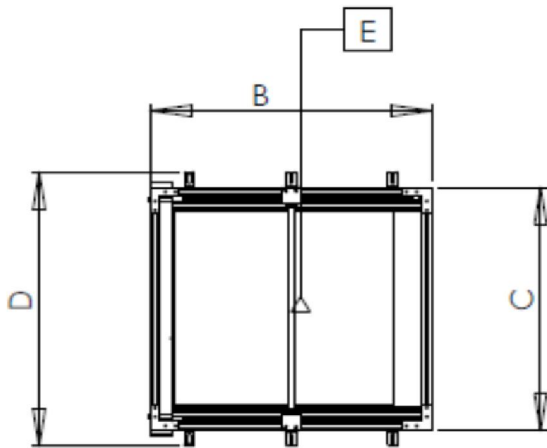
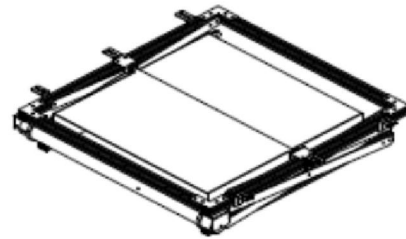
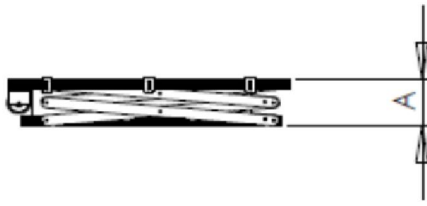


"VARIOLIFT" CEILING MOTORIZED BRACKET - DATASHEET



E: countershaft mounted only on special models

	STAF030 / STAF007	STAF009	STAF010	STAF012	STAF041 / STAF042	STAF017	STAF018
A	15	26,5	15	21	15	19	27
B	52	52	83	83	52,5	65,5	65,5
C	51	51	80	80	57,5	71	71
D	61	61	90	90	67,5	81	81
ceiling fixing points	4	4	6	6	4	6	6

code	total closed sizes (WxHxD)	projector basket size (WxhXP)	max run	motor	power consumption	torque	speed	max load Kg.
STAF030	51x15x52	34x13,5x40	30	SOMFY	90 W	6 Nm	3 mt. 1'	15
SFAT007	51x15x52	34x13,5x40	100	SOMFY	90 W	6 Nm	3 mt. 1'	15
STAF009	51x26,5x52	34x13,5x40	200	SOMFY	90 W	6 Nm	3 mt. 1'	15
STAF010	80x15x83	64x13,5x64	100	SOMFY	120 W	10 Nm	3 mt. 1'	18
STAF012	80x21x83	64x13,5x64	200	SOMFY	120 W	10 Nm	3 mt. 1'	18
STAF041	57,5x15x52,5	42x13,5x40	30	SOMFY	90 W	6 Nm	3 mt. 1'	18
STAF042	57,5x15x52,5	42x13,5x40	100	SOMFY	90 W	6 Nm	3 mt. 1'	18
STAF017	71x19x65,5	55,5x18x46	100	SOMFY	120 W	10 Nm	3 mt. 1'	18
STAF018	71x27x65,5	55,5x18x46	200	SOMFY	120 W	10 Nm	3 mt. 1'	18

MAIN FEATURES:

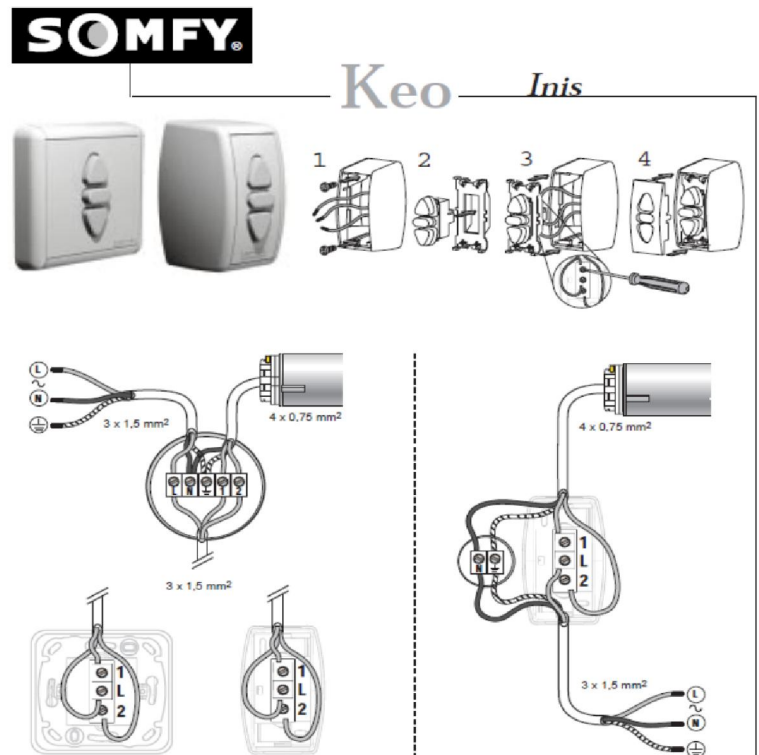
upper frame assembled with extruded aluminum profile, with surface oxidation treatment. Projector containment basket made with galvanized wire mesh. Pantograph system constructed with galvanized steel, lifting by means of stranded steel wires, from a minimum of 2 to a maximum of 4, depending on the models and capacity. Standard supplied with: spiral wrap for wires grouping and adhesive bend, wall mounting electric switch with 3 positions (down/stop/up), instruction booklet

Optional: cables chain, ceiling tile holder kit, radio remote control.

Electric motor technical data:

- Nominal voltage: 230V - 50Hz
- Power supply tolerance: 207 - 244V
- Nominal torque: 6 -10 Nm
- Nominal speed: 17 rpm
- Rated power: 90 -120 W
- Rated current: 0,4 - 0,5 A
- Thermal time: 4 minutes
- Thermal tripping 150 °C
- System of protection: IP 44
- Normal use: da -10 °C a +40 °C
- Noise: 46 -47 dBA

Electric connections:



INSTALLATION OF THE UNIT

- [The installation must be carried out by specialized personnel.
- [Install the ceiling unit in the desired position using the most suitable fixing system for the kind of ceiling.
- [Only connect the unit to the power supply when the installation is finished.
- [Prepare the holes in the ceiling according to the centre to centre distance of the holes on the L-shaped supports of the motorized bracket.
- [Combine the motorized bracket with the holes in the ceiling and fix it to it.
- [Fix the videoprojector using the holes of the perforated rack positioning it inside and fasten it tightly to the grid.