

XA-S11

EDID / CEC Selector

Operation Manual



Revision History

Version No	Date	Summary of Change
V1	20090304	Preliminary Release

Precaution

Failure to follow the precautions described below may cause damage to EDID/CEC Selector and void the warranty.

- DO NOT open the case. Doing so will void the warranty. If you find problem with it, please return back to your retailer or seller who will assist you or provide you with solution.
- DO NOT use third-Party AC adapter or power cord. Doing so may damage EDID/CEC Selector.
- DO NOT bump, jar or drop contents of the products as it may damage it and result in warranty void.
- DO NOT set any liquids or beverages on the drive as they may damage EDID/CEC Selector.

Table of Contents

1. Introduction.....	1
2. Application.....	1
3. Contents.....	1
4. System Require.....	1
5. Features.....	2
6. Operation Controls and Functions.....	3
6.1 Front Panel	3
6.2 Rear Panel	4
7. Connection and Installation.....	4
8. Specifications.....	4

1. Introduction

This high performance HDMI v1.3 switcher allows user to set a firm EDID and CEC between the source and the display. Instead of waiting for signal configuration with synchronization for displaying this HDMI v1.3 switcher save time on it and displaying instantly with your desire setting. It also easy user with configuration choices by push buttons, power selection of internal/ external, and EDID setting auto/set these useful functions make the unit in whole to support and satisfy each and every user's habits.

Please follow this manual to begin enjoying the benefit of your HDMI 1.3 DA. We suggest keeping it in a safe place for future reference.

2. Application

- To set EDID
- Be the best choice setting between display and source with installation
- Solve no audio and video issue due to EDID restriction

3. Contents

- EDID / CEC selector
- 5V 1A power adaptor
- Operational Manual

4. System Require

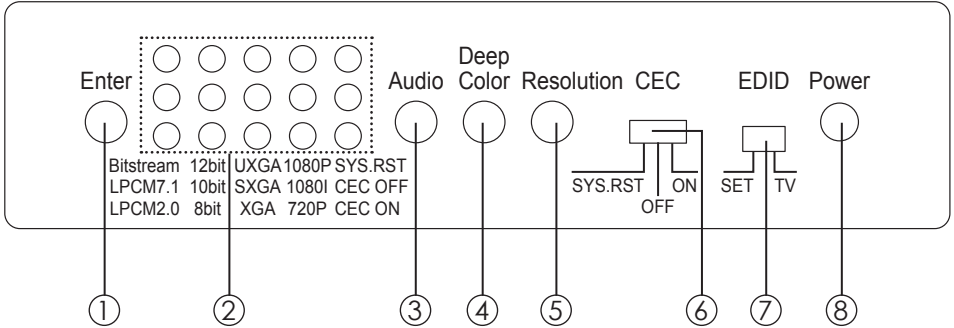
Input source equipment with HDMI cable and output displays with HDMI cable.

5. Features

- Compliant with HDMI 1.3 and DVI 1.0 standards.
- Serial data rate at up to 2.25Gbps, capable of supporting the following digital video formats in Deep Color Mode at up to 36 bits (12 bits/color):
 - DTV resolutions: 480i/p, 576i/p, 720p, 1080i/p
 - PC resolutions: VGA, SVGA, XGA, SXGA to UXGA
- Supports HD audio-Dolby Digital TrueHD and DTS-HD.
- Embedded EDID.
- Built-in CEC support with compliant CEC PHY.
- HDMI cable distance test with 1080p/8bit or 12bit resolution the input/output can run up to 10/15 meters.
- Supports DVI source & DVI display by using HDMI to/from DVI adaptor cable.
- Can select EDID source from TV or this splitter.
- Support CEC by pass or set EDID manually.
- Easy to install and simple to operate.

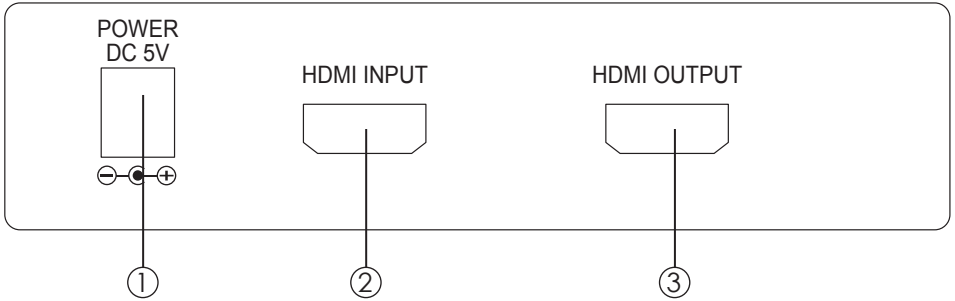
6. Operation Controls and Functions

6.1 Front Panel



- ① Enter key – Press the button after each selection.
- ② LED light – Illuminate the actual selection.
- ③ Audio – Select the audio format Bitstream such as Dolby, TrueHD or DTSHD and LPCM 7.1 or 2.0.
- ④ Deep Color – Select the deep color of 12/10/8 bit.
- ⑤ Resolution - Select the resolution of UXGA, SXGA, XGA, 1080P, 1080I or 720P. Use PC monitor or monitor that support PC mode when selecting PC resolution UXGA, SXGA or XGA, if using LCD TV with built-in EDID the device will not record HDMI resolution and may cause display problem.
Note: The above key selections are only functioning when EDID is switched to SET. Press enter after the selection or the LED light will be blinking, the image will reset and only the EDID's contents will be changed according to the selection not HDMI output frame rate or others.
- ⑥ CEC – Select the CEC function by ON/OFF or system reset. Press enter when switch in between the CEC function. CEC switch to SYS.RST mean the system will be reset every 8~10min, switch to OFF means eypass CEC OFF and switch to ON means bypass allowing souce reading display's CEC.
- ⑦ EDID – Select the EDID format by TV's or manual selection (SET)
- ⑧ Power – Push the button to power on the device or power off the device to standby.

6.1 Rear Panel



- ① Power – Plug with 5V 1A's power adaptor and connect to the power source
- ② HDMI INPUT – Plug with HDMI cable with input source equipment
- ③ HDMI OUTPUT – Plug with HDMI cable with output display equipment

7. Connection and Installation



8. Specifications

Frequency bandwidth	2.25Gbps (single link)
Input port	1x HDMI female port (Type A connector)
Output ports	1x HDMI female port (Type A connector)
Power Supply	5VDC/1A (US/EU standards, CE/FCC/UL certified)
Dimensions (mm)	97(W) x 125(D) x 30(H)
Weight(g)	250
Chassis Material	Aluminum
Color	Silver
Operating Temperature	from 0°C ~ 40°C
Power Consumption	2.7W

